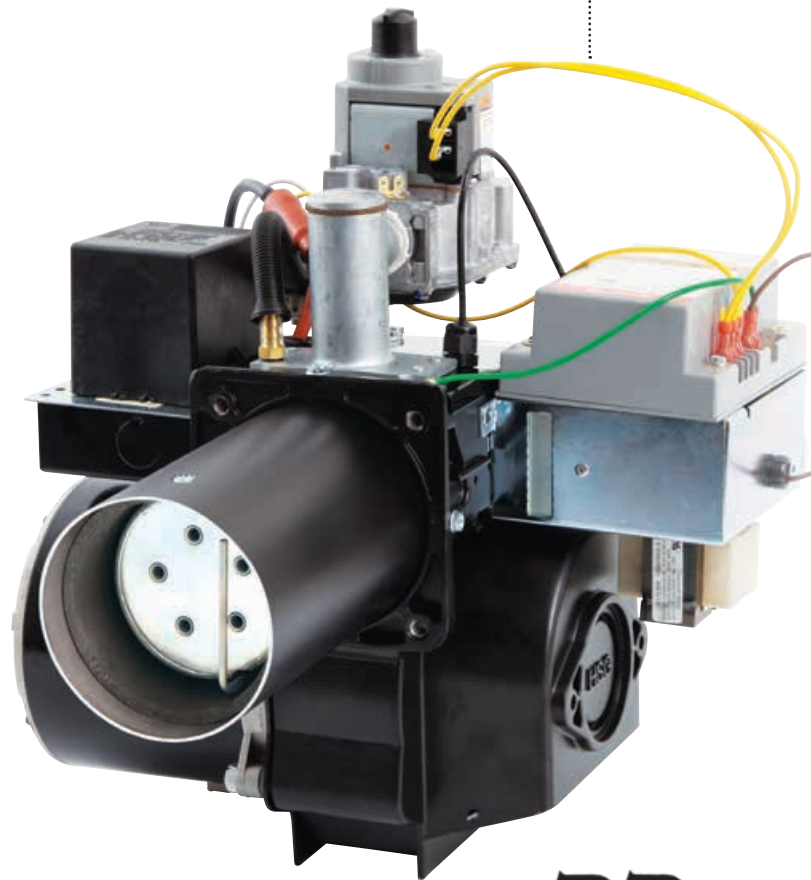


Model HSG

200/400 GAS BURNER



HSG features:

The Wayne Model HSG power gas burners are designed for performance and reliability, and offer features such as:

- Higher static capabilities will overcome most adverse draft conditions encountered
- Good combustion in poor draft situations
- Converts easily to fire Natural Gas or LP Gas
- Partial premix head design to provide excellent combustion characteristics (8% to 10% CO₂ on Natural Gas)

Designed For Easy Serviceability:

- No need to remove the burner for normal service. The Gas Manifold assembly is easily removed for complete service or replacement of components
- Easy, convenient external orifice change
- Automatic, perfect alignment of combustion components
- Primary Air Damper with indicator
- Exclusive Off-Cycle Damper reduces drafting back through the burner between burner firing cycles and also allows for fine-tuning of burner combustion.

Designed For Installation Flexibility:

- Simple burner set up. Just identify and install the correct orifice and, using proper test instruments, set the gas valve pressure and adjust the Primary and Off-Cycle Dampers.
- HSG Gas Burners are factory set to fire Natural Gas. Converting to fire LP is a simple matter of identifying and installing the correct orifice and, using proper test instruments, setting the gas valve pressure, Primary and Off-Cycle Dampers.
- An Orifice Pack is supplied with each burner, allowing firing each model through its entire rate range on either Natural or LP Gas.
- Major manufacturer, industry proven components utilized to provide excellent performance and reliability.



Specifications

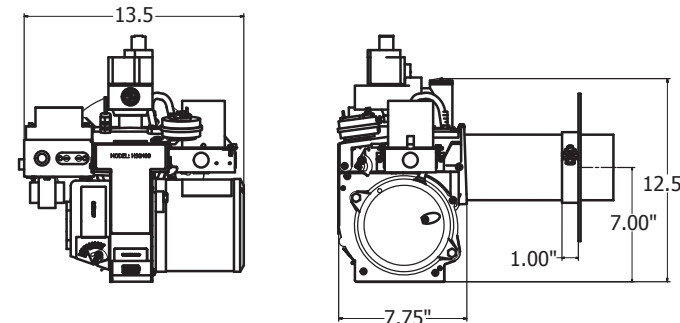
HSG200/HSG400 GAS BURNER

HSG200 - 60M Btu/hr to 200M Btu/hr
HSG400 - 200M Btu/hr to 400M Btu/hr

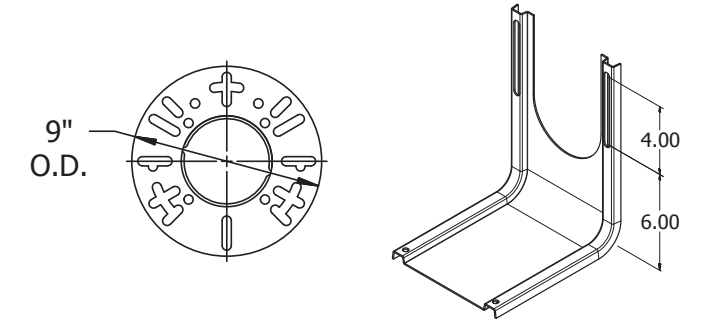
THE BLUE ANGEL™ POWER GAS BURNER - MODEL HSG

| | |
|-----------------|---|
| Capacities | Firing rates from 60M - 200M Btu/hr. (HSG200), 200M - 400M Btu/hr. (HSG400) |
| Fuel | Natural or LP Gas, 2" to 4" water column - adjustable. |
| Controls | 24-volt combination control, 3/4" IPS redundant valve. Flamerod sensor with 4 second safety shutdown. |
| Ignition | Direct spark ignition 7300-volt ignition transformer. Simple removal of top cover for easy access to ignition and sensing components. |
| Motor | 3450 RPM - 115V - 2.4A. |
| Fan Housing | One-piece Aluminum alloy, die cast housing. |
| Mounting | Adjustable Flange and Gasket included (Pedestal Mount available.) |
| Air Tube | 4" OD available in standard lengths of 6", 9", and 12" (max. insertion 1" less than overall tube length) |
| Combustion Head | Stainless steel, precision stamping. No change required for entire firing range. |

DIMENSIONS



MOUNTINGS



Adjustable Flange

Pedestal Assembly

Visit www.waynecombustion.com - Downloads, Reference Drawings & Sketches for dimensional details

Complete Burner:

All BLUE ANGEL Model HSG flame retention Gas Burners are shipped completely assembled and test fired. Additional orifices supplied. Combination redundant gas valve and ignition control package installed. The models at right include an adjustable flange with gasket as standard and are generally available for immediate shipment.

Shipping Information:

- Individually cartoned
- Weight: 31-34 lbs.
- 18 burners per pallet

ORDERING INFORMATION

| Part No. | Model No. | Tube Length | Capacity - M Btu/hr |
|----------|-----------|-------------|---------------------|
| 62376C | HSG200 | 6" | 60-200 |
| 62377C | HSG400 | 6" | 200-400 |
| 62378C | HSG200 | 9" | 60-200 |
| 62379C | HSG400 | 9" | 200-400 |
| 62380C | HSG200 | 12" | 60-200 |
| 62381C | HSG400 | 12" | 200-400 |

Contact Wayne Combustion Systems for information regarding special HSG200 and HSG400 Gas Burners with modified timings that improve burner operation in applications such as bakery ovens and pressure washers.